

# **M-SPREAD** Spreader Control

**NEW**



**M-SPREAD** is a simple solution providing basic electro-hydraulic control of a spreader along with additional monitoring functionality

With spreaders becoming more complex, the **M-SPREAD** provides easy and simple control of that additional functionality.

Further to that, simple monitoring can also provide useful data to operators & managers to ensure efficient and correct use of the spreader.

**RDS TECHNOLOGY**

P R E C I S E L Y

[www.rdstec.com](http://www.rdstec.com)

The new **M-SPREAD** uses a 4.3" colour touch-screen display and additional keys providing a modern and ergonomic user interface.

The touch-screen allows control of the primary electro-hydraulic functions but also easy to access secondary functions.

With the associated sensors the **M-SPREAD** is able to show the following:

- Forward speed
- Beater speed (with alarms)
- Gate height
- Weight in the spreader

As such the **M-SPREAD** could record data as per the following:

- Spread area
- Distance travelled
- Work hours
- Weight spread
- Overload (weight & time)

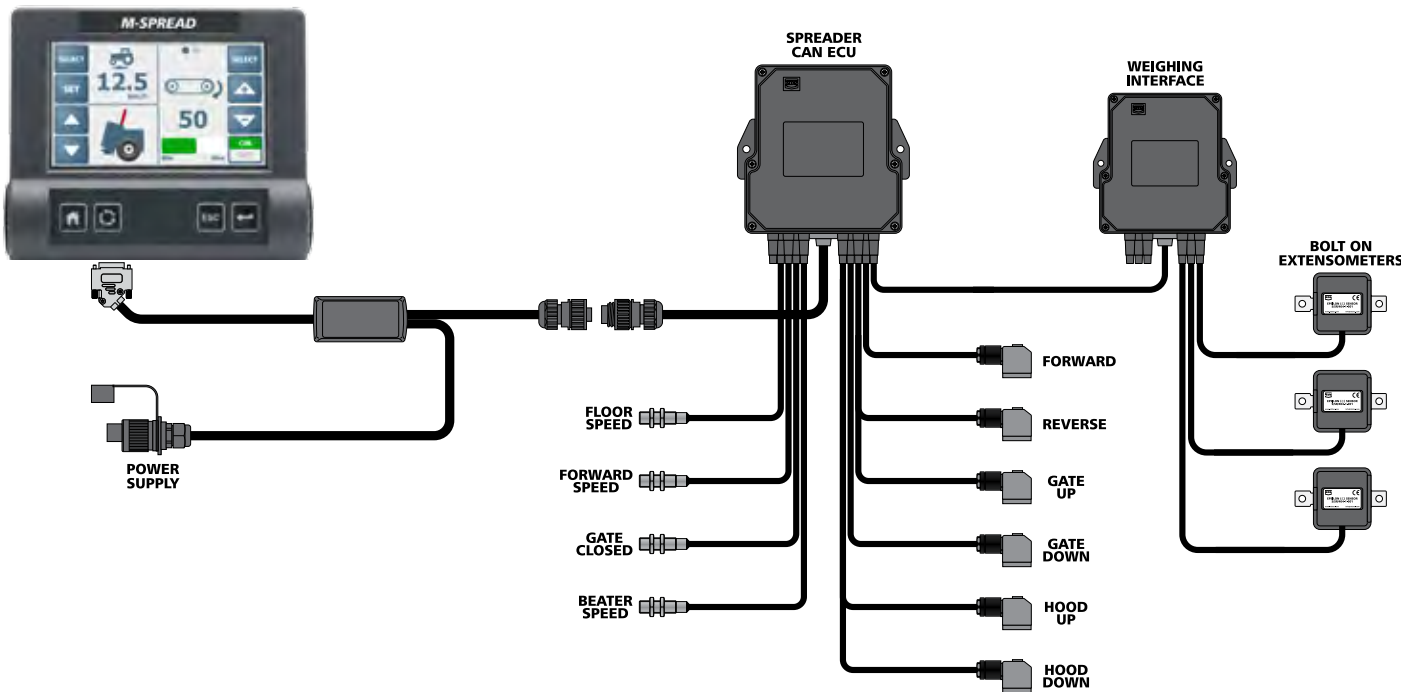
**FEATURES:**

- Colour touch-screen display
- Complete electro-hydraulic control
- Basic monitoring functionality
- Optional weighing capability with use of Epsilon bolt-on sensors
- Data recording
- USB & SD capability

**ADVANTAGES:**

- Clear, uncluttered display provides intuitive operation
- Allows simple and easy operation with associated interlocks i.e. can't start floor without slurry door lifted
- Understand spreader/operator productivity and efficiencies
- Verify spreader rates and material/spreader use
- See total working life of the spreader
- Easy to load & save data

**SYSTEM SCHEMATIC:**



RDS Technology Ltd, Cirencester Road,  
 Minchinhampton, Stroud, Glos, GL6 9BH, UK  
 T: +44 (0)1453 733300 info@rdstec.com

**RDS TECHNOLOGY**

P R E C I S E L Y

[www.rdstec.com](http://www.rdstec.com)

Errors and omissions excluded, technical details are subject to change. ref: M-SPREAD/EN